

Product description

HIITIO HCPV1U DIN-Rail fuse holders are for PV systems/ UL Class CC and supplemental fuses, and IEC 10x38 fuses. They are available with and without indication in 1-, 2-pole IP20 finger-safe versions. A variety of accessories extends their application flexibility and they may be ganged together to meet specific application requirements.

Features

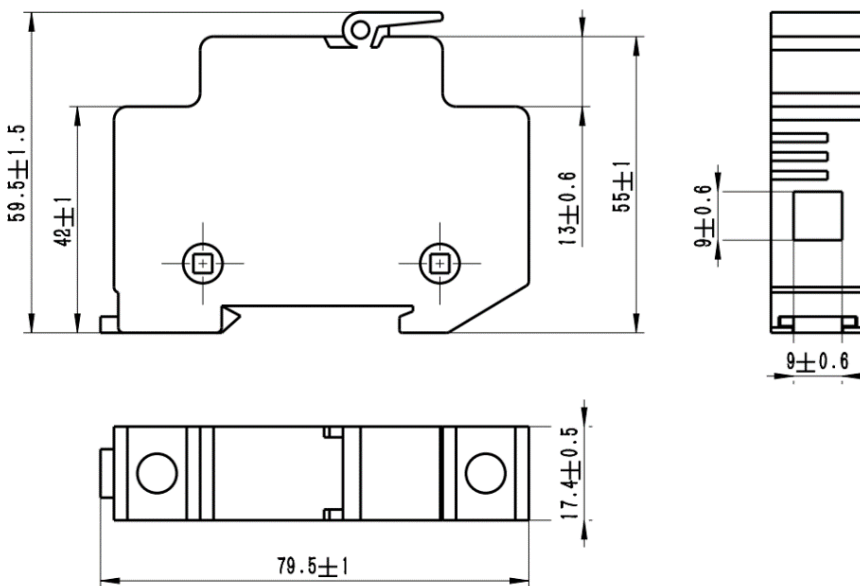
- Suitable for 10 x 38 gPV cylindrical fuse links
- Current rating: 30 A for IEC and UL (35A Max)

Technical Data

Number of poles: 1

- Volts: 1000 V (or less) Photovoltaic (PV)
- Volts: 600 V (or less) UL / 690 V (or less) IEC
- Rated current: 30 A for IEC and UL (35A Max)
- Rated breaking capacity Icc: 30 kA Dc photovoltaic
- Suitable for fuse links with permitted rated power dissipation up to max 8W
- RoHS Compliant
- Mounting on 35 mm DIN-Rail
- Degree of protection: IP20
- Flammability: UL94-V0, self-extinguishing

Dimensions -mm:



Storage and operating temperature

- -20°C to 90°C indicating
- -20°C to 120°C non-indicating

Storage temperature

- -40°C to 70°C

Standards/Approvals:

- IEC 60269-1
- UL 4248-1 Edition 1
- UL 4248-19 Edition 1

Terminal points:

Box terminal: Cu 4 - 25 mm² flexible, directly clamped or with wire-end ferrules (flexible + wire-end ferrule may not be possible with maximum cross-section)

Packaging:

- 12 per pack

