

Specifications 技术参数

14x51mm Cylindrical Fuses

Ratings& Features Applications 电气参数/功能应用领域:

High speed Fuses

- ✧ Volts 电压: 500Vdc (or less) ;
- ✧ Amps 电流: 10-50A;
- ✧ Class Type: aR 产品类别: aR;
- ✧ Breaking Capacity 分断:
 - Max BC: 20kA @ 500Vdc (or less) ;
- ✧ Low Watt Losses 低功率损耗;
- ✧ Design For Dc Applications 直流应用设计;
- ✧ Excellent Dc Performance 卓越的直流分断能力;
- ✧ EV/HEV 纯电动汽车和混合动力汽车设计;
- ✧ Superior cycling capability 可循环利用率高;

Standards / Approvals 认证/标准:

- ✧ Refer To UL 248.13/UL 248.20; IEC 60269.1/IEC 60269.4; GB 13539.1/GB 13539.4; JASO D622; 性能参考UL 248.20/IEC 60269.4/GB 13539.4及JASO-D622;
- ✧ Manufactured Under a IATF16949 Quality System for Compliance with Automotive Requirements; 根据IATF16949质量体系制造符合汽车要求;
- ✧ Reach Declaration Available Upon Request; 可根据要求提供REACH声明;
- ✧ CE;
- ✧ RoHS Compliant. 符合RoHS。

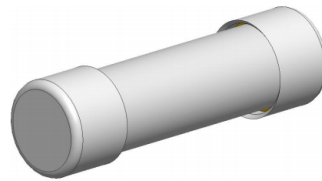
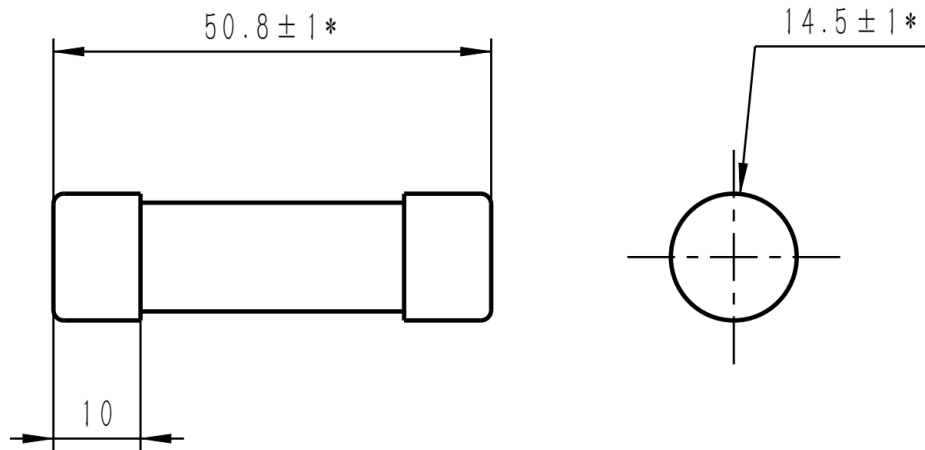
Features & benefits 产品特性:

Higher voltage rating provides overall system efficiency using smaller, more economical conductors while meeting the needs of higher voltage. Up to ten times faster opening under high fault current conditions helps assure reliable protection of circuits and components. Can be applied in parallel to realize greater ampacity within sizing guidelines, Excellent power of resisting voltaic impingement and environment temperature tolerance, Excellent resistance to mechanical vibration and impact resistance.

满足高电压、小体积、更经济的提升整体系统效率，同时满足更高电压的需求。在大的故障电流条件下，断开速度更快，确保电路和部件的可靠保护。可以并行应用，实现尺寸范围内更大的载流量。良好的抗电流冲击能力以及冷、热环境温度耐受能力，具有优越的抗机械振动与冲击能力。

Product Model 产品型号说明:

HC	HV	I	500	=	50	A	=	14R
<p>HC: Company Code PV: Photovoltaic HV: High Speed F: Fiberglass T: Ceramics Rated Voltage: 500: 500V Rated Current: 50: 50A x: Connect A, AP Type Series Code: 14R</p>								

Dimensions (mm) 尺寸


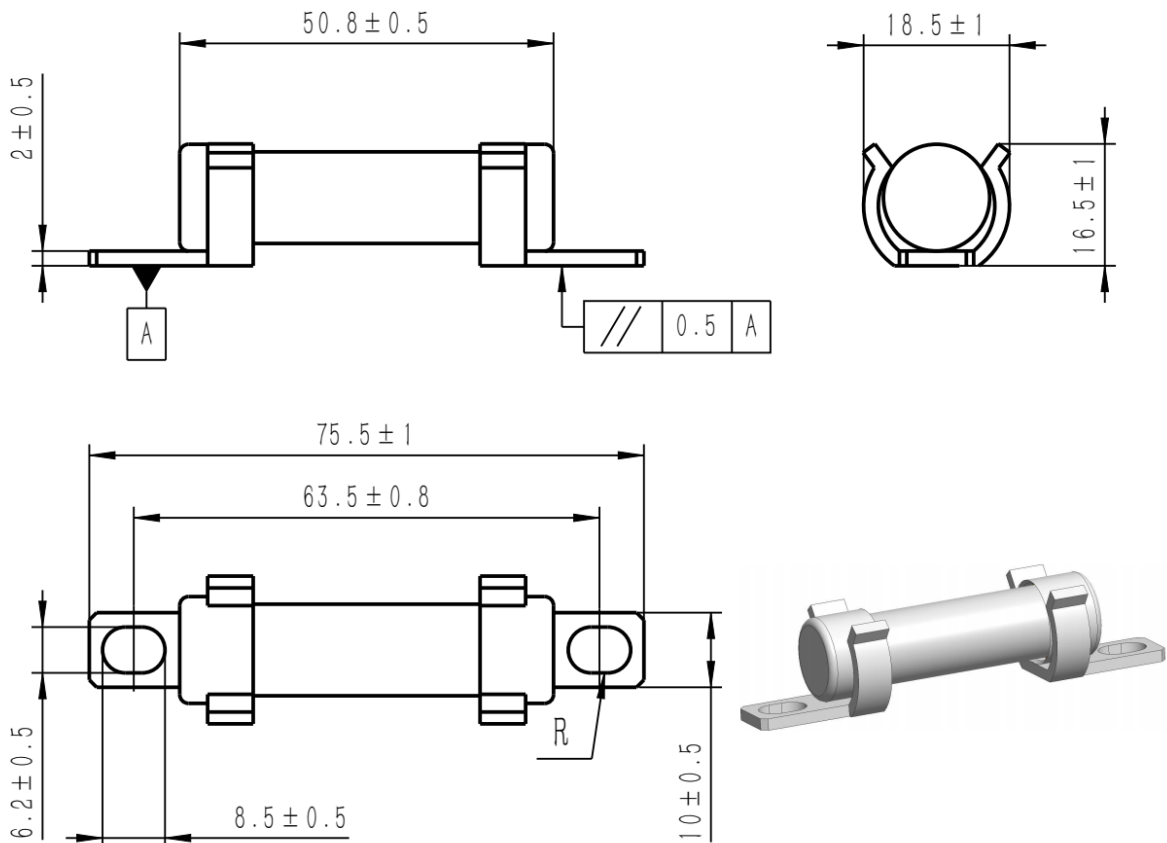
Ferrule: xxA-14R 单体式 熔断器

Fuse Ratings 额定参数

Connect	Part No.	Fuse Amps	Breaking Capacity	Average @ 20KA/500Vdc		Power Loss 1.0(W)	Approvals
				A ² s Melting	A ² s Clearing		UL
Ferrule	HCHVT500-10A-14R	10A	20 kA	4.03	29.70	4.00	○ Pending
	HCHVT500-12A-14R	12A	20 kA	5.21	39.76	4.50	○ Pending
	HCHVT500-15A-14R	15A	20 kA	11.20	98.25	5.50	○ Pending
	HCHVT500-16A-14R	16A	20 kA	16.00	142.50	6.00	○ Pending
	HCHVT500-20A-14R	20A	20 kA	28.86	243.00	7.00	○ Pending
	HCHVT500-25A-14R	25A	20 kA	49.72	422.40	7.30	○ Pending
	HCHVT500-30A-14R	30A	20 kA	66.70	594.00	7.60	○ Pending
	HCHVT500-32A-14R	32A	20 kA	82.28	798.00	7.80	○ Pending
	HCHVT500-35A-14R	35A	20 kA	88.35	845.00	8.00	○ Pending
	HCHVT500-40A-14R	40A	20 kA	105.00	1020.00	8.30	○ Pending
	HCHVT500-50A-14R	50A	20 kA	246.00	2304.00	9.00	○ Pending

DC Cold Resistance are measured at <10% of rated current in ambient temperature of 25°C;

Dimensions (mm) 尺寸



Axial bolt: xxAP-14R 轴向 螺栓连接

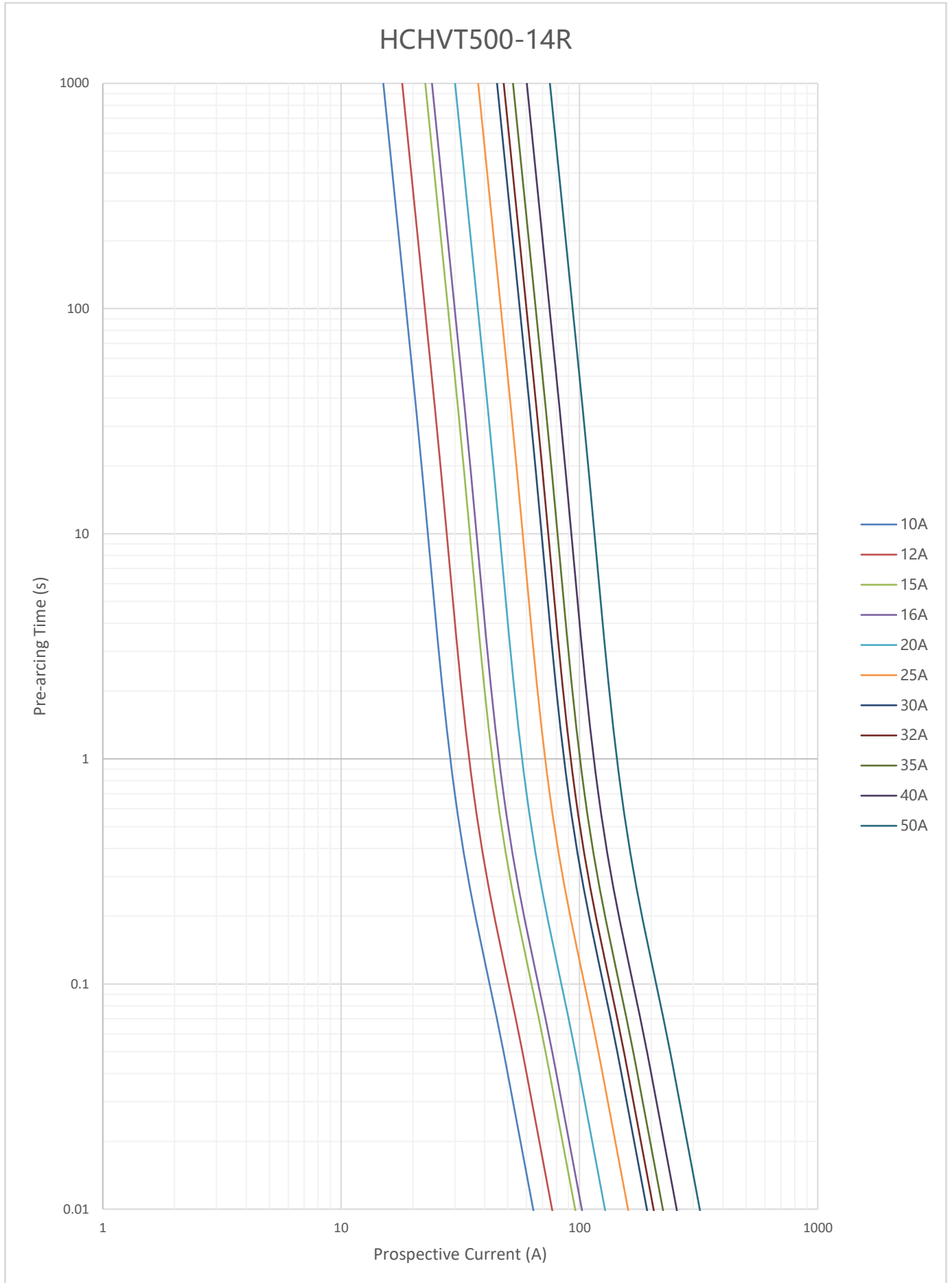
Standard recommended bolts	Installation torque
推荐使用螺栓	推荐螺栓扭矩
M5	4.5±1.0 (N.m)
M6	6.0±1.0 (N.m)

Fuse Ratings 额定参数

Connect	Part No.	Fuse Amps	Breaking Capacity	Average @ 20KA/500Vdc		Power Loss 1.0(W)	Approvals UL
				A ² s Melting	A ² s Clearing		
Axial bolt	HCHVT500-10AP-14R	10A	20 kA	4.03	29.70	4.00	○ Pending
	HCHVT500-12AP-14R	12A	20 kA	5.21	39.76	4.50	○ Pending
	HCHVT500-15AP-14R	15A	20 kA	11.20	98.25	5.50	○ Pending
	HCHVT500-16AP-14R	16A	20 kA	16.00	142.50	6.00	○ Pending
	HCHVT500-20AP-14R	20A	20 kA	28.86	243.00	7.00	○ Pending
	HCHVT500-25AP-14R	25A	20 kA	49.72	422.40	7.30	○ Pending
	HCHVT500-30AP-14R	30A	20 kA	66.70	594.00	7.60	○ Pending
	HCHVT500-32AP-14R	32A	20 kA	82.28	798.00	7.80	○ Pending
	HCHVT500-35AP-14R	35A	20 kA	88.35	845.00	8.00	○ Pending
	HCHVT500-40AP-14R	40A	20 kA	105.00	1020.00	8.30	○ Pending
	HCHVT500-50AP-14R	50A	20 kA	246.00	2304.00	9.00	○ Pending

DC Cold Resistance are measured at <10% of rated current in ambient temperature of 25°C;

Time-Current Curve 时间电流曲线图



Operating conditions 使用条件

- ◇ Product storage Temperature: $-40^{\circ}\text{C} \sim 120^{\circ}\text{C}$ ($-40^{\circ}\text{F} \sim 248^{\circ}\text{F}$);
产品存储温度: $-40^{\circ}\text{C} \sim 120^{\circ}\text{C}$, 在 40°C 时相对湿度不大于70%;
- ◇ Product storage Humidity: $T=40^{\circ}\text{C}$ $\text{RH} \leq 70\%$, $T \leq 30^{\circ}\text{C}$ $\text{RH} \leq 80\%$, $T \leq 20^{\circ}\text{C}$ $\text{RH} \leq 90\%$;
在 30°C 以下, 产品相对湿度不大于80, 在 20°C 以下, 相对湿度不大于90%;
- ◇ Package storage Temperature: $-40^{\circ}\text{C} \sim 80^{\circ}\text{C}$ ($-40^{\circ}\text{F} \sim 176^{\circ}\text{F}$);
包装存储温度: $-40^{\circ}\text{C} \sim 80^{\circ}\text{C}$;
- ◇ Fuses can perform regularly under the flowing conditions without corrections;
熔断器在下述的正常使用条件下工作, 不需要额外的修正;
- ◇ Regular current flow should $\leq 75\%$ of recommended rated current;
推荐长期通流的电流值不大于额定电流的75%;
- ◇ High frequency vibration resistance: $\geq 20\text{g}$;
本系列熔断器有良好的抗振动和冲击的耐受能力, 可承受20g以上的加速度;
- ◇ Intense vibration and shocking conditions need more tests.
振动较为强烈的应用环境, 可商议进行对应测试, 一般要经过较长的周期。
- ◇ Replacing fuses if damaging facilities;
对有机损伤的熔断器必须进行更换;
- ◇ DO NOT change fuses while loading unless MUST.
除非使用要求允许, 如熔断器式负荷开关, 否则请勿带负载更换熔断器。
- ◇ Operating temperature: $-5^{\circ}\text{C} \sim 40^{\circ}\text{C}$ ($23^{\circ}\text{F} \sim 104^{\circ}\text{F}$);
正常使用条件: $-5^{\circ}\text{C} \sim 40^{\circ}\text{C}$;
- ◇ Allowable operating temperature: $-40^{\circ}\text{C} \sim 125^{\circ}\text{C}$ ($-40^{\circ}\text{F} \sim 257^{\circ}\text{F}$);
允许使用条件: $-40^{\circ}\text{C} \sim 125^{\circ}\text{C}$;
- ◇ Temperature correction factors: when below -5°C (23°F), low overload (L.O.) pre-arcing time will slightly extend, rated current will slightly increase;
周围空气温度变化的参数修正: 在低于 -5°C 下工作, 熔断器的低倍过载电流的弧前时间略有延长, 额定电流略有增大, 但是除非 -5°C 以上不是工作范围, 一般不参考增加熔断器额定电流;
- ◇ If operating above 40°C (104°F), rated current need extra corrections, factors: $-Kt$ ①.
熔断器在 40°C 以上工作, 额定电流需要额外的修正, 修正系数为 $-Kt$ 。
*Note①: Kt value has already considered the safety current allowance under regular operating scenarios.
*注1: Kt 的取值已考虑熔断器在正常工作条件下的额定电流安全余量的影响。

